

Permanent Light 209 / Accessories

**Base w. integrated tube BK****Part No.:** 975.209.01**MECHANICAL DATA**

Height	110 mm
Diameter	70 mm
Materials	PA-GF
Housing colour	Black
Weight with packaging	62 g
Product weight	62 g

**APPROVAL DATA**

WEEE	No
Conforms with RED directive	No
Conforms with ATEX-directive	No
Conforms with CCC	No
Conforms with UL	No
Conforms with FCC	No
Conforms with IC	No
EAC certificate available	No
Conforms with AS-I	No
ICAO Certification	No
Conforms with DNV	No
Conforms with RoHS CN	No

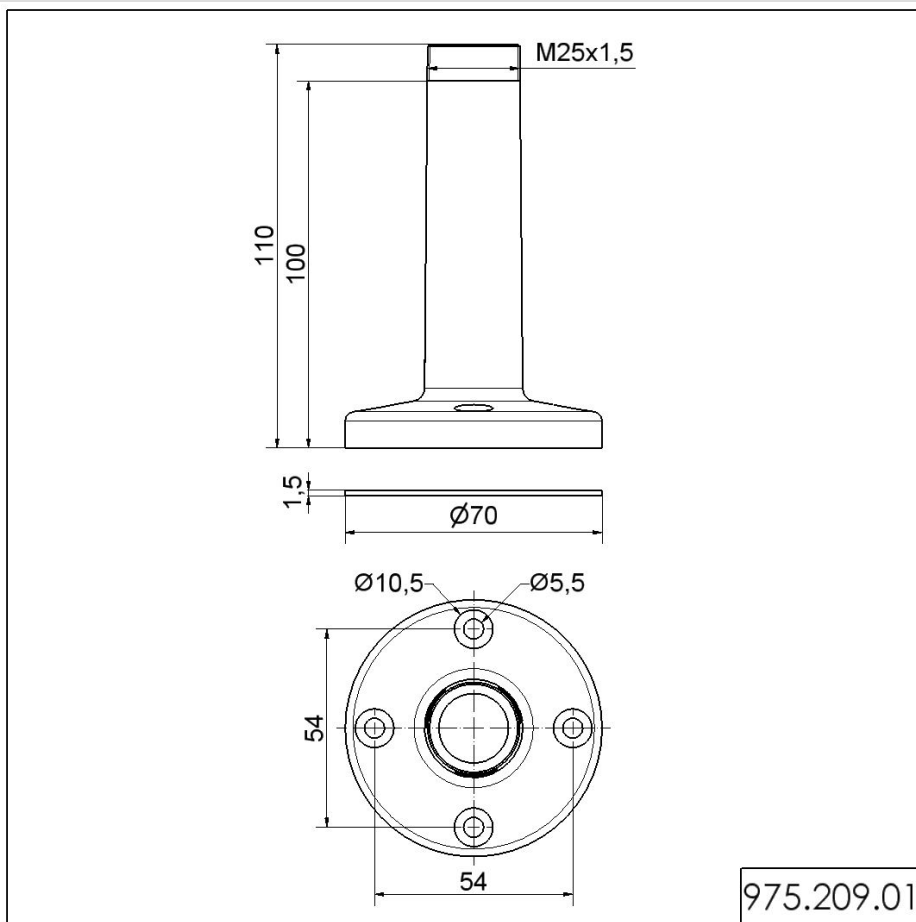


For additional installation and mounting information, refer to the appropriate user guide at [www.werma.com](http://www.werma.com). This printed copy is for information only and is subject to alteration.

Permanent Light 209 / Accessories

**Base w. integrated tube BK**

## DRAWING



! For additional installation and mounting information, refer to the appropriate user guide at [www.werma.com](http://www.werma.com). This printed copy is for information only and is subject to alteration.